

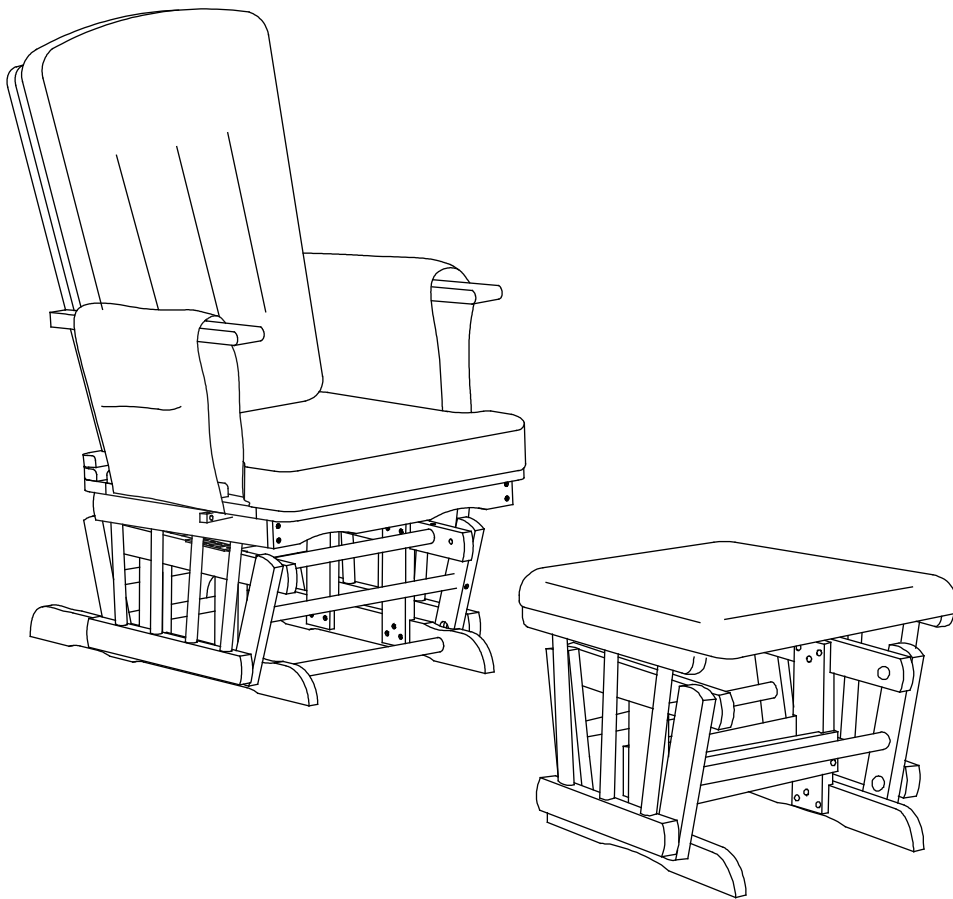


OBABY

Deluxe Reclining Glider Chair and Stool

Instructions

Version: R2-0-2



IMPORTANT

KEEP FOR FUTURE REFERENCE



Thank you for choosing Obaby. This chair conforms to BS EN 12520: 2015. To ensure that your gliding chair is used in accordance with these instructions, please read them fully.

Your child's safety may be affected if you do not follow these instructions.

WARNING: Assembly should be carried out by a competent adult only.

WARNING: A child's safety is your responsibility.

WARNING: Care should be taken as the underside mechanism of this glider could present a hazard to other people when in use.

WARNING: The footstool is intended to be used for supporting the feet and legs only, not for sitting on.

WARNING: Do not sit on the edge of the seat, armrests or on the backrest as this could cause the chair to tip over.

WARNING: Do not leave children unattended on or beside the chair or foot stool.

WARNING: Care should be taken as the underside mechanism of the chair and stool could present a hazard to other people when in use

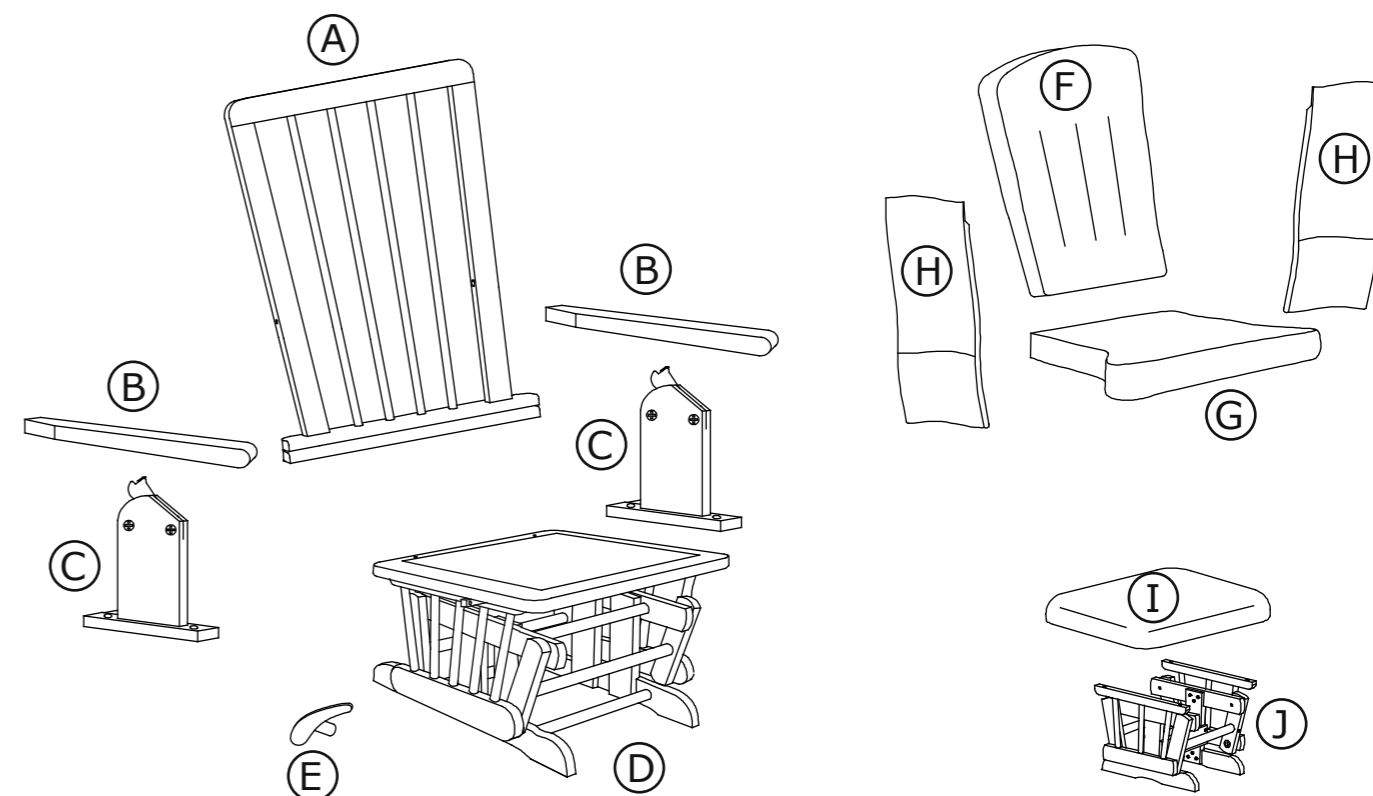
WARNING: The stool is intended to be used for supporting the feet and legs only, not for sitting on

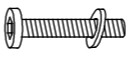
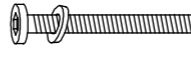



- Be aware of the risk of open fire and other sources of heat, such as electric bar fires, gas fires, etc. in the near vicinity of the glider chair and stool.
- Do not use the glider chair and stool if any part is broken or missing. Use only spare parts approved by the manufacturer.
- All assembly fittings should be tightened properly and care should be taken to ensure that no screws are loose, as a child could trap parts of the body, or clothing (e.g. ribbons, drawstrings, necklaces) this could lead to strangulation.
- Regularly check that all fittings and components of the glider chair and stool are fully tightened and in working order.
- Wood is a natural material, the colour will darken with age.
- During assembly children should be kept away from the product due to possible risk of injury.

ROUTINE CARE & MAINTENANCE

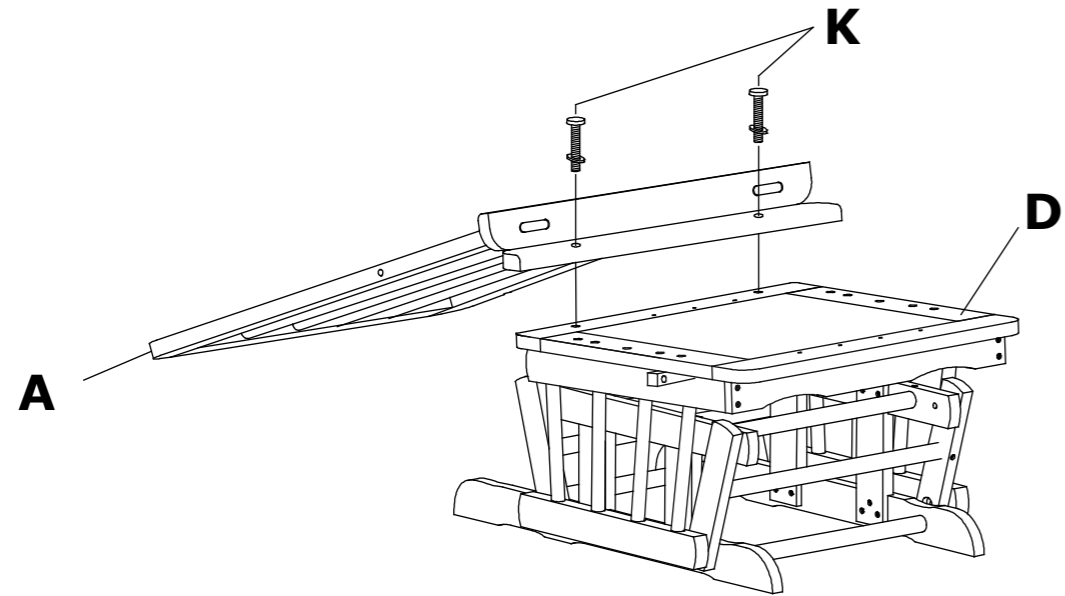
- Wipe away spills immediately to prevent staining.
- Use a cloth dampened with water and/or mild soap or a professional product to clean the fabric - always test an inconspicuous area first.
- Allow upholstery to dry and brush lightly.
- Cushions are to be dry cleaned only - do not machine wash the cushions.
- For cleaning the chair/stool frame, use only a mild detergent and warm water.
- DO NOT USE BLEACH.
- DO NOT USE any abrasive substances.
- From time to time, check your glider chair and stool for loose screws, and worn parts. Replace or adjust the parts as needed.

Due to constant updating and improvements, some components may occasionally differ slightly from the images shown in these instructions. We reserve the rights to change the specifications of any products without prior notice. If you need any assistance please contact your Obaby retailer.

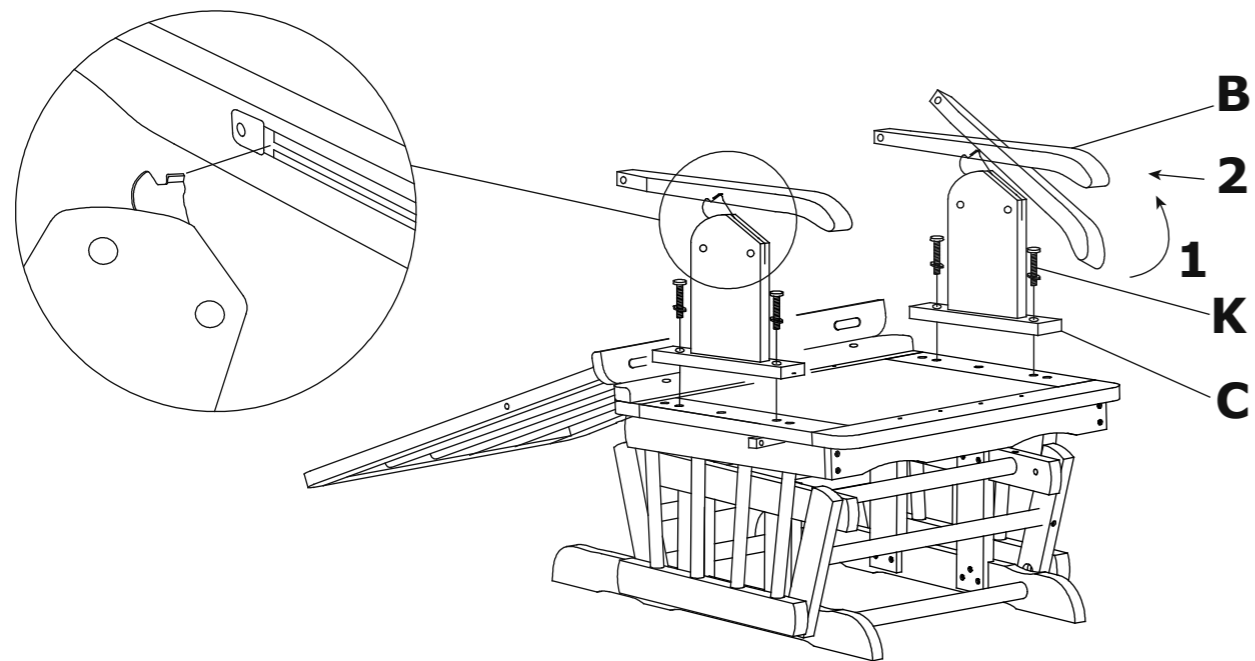


Part K	Part L	Part M	Part N	Part O
				
35mm x 10	70mm x 2	x 2	x 1	12mm x 1

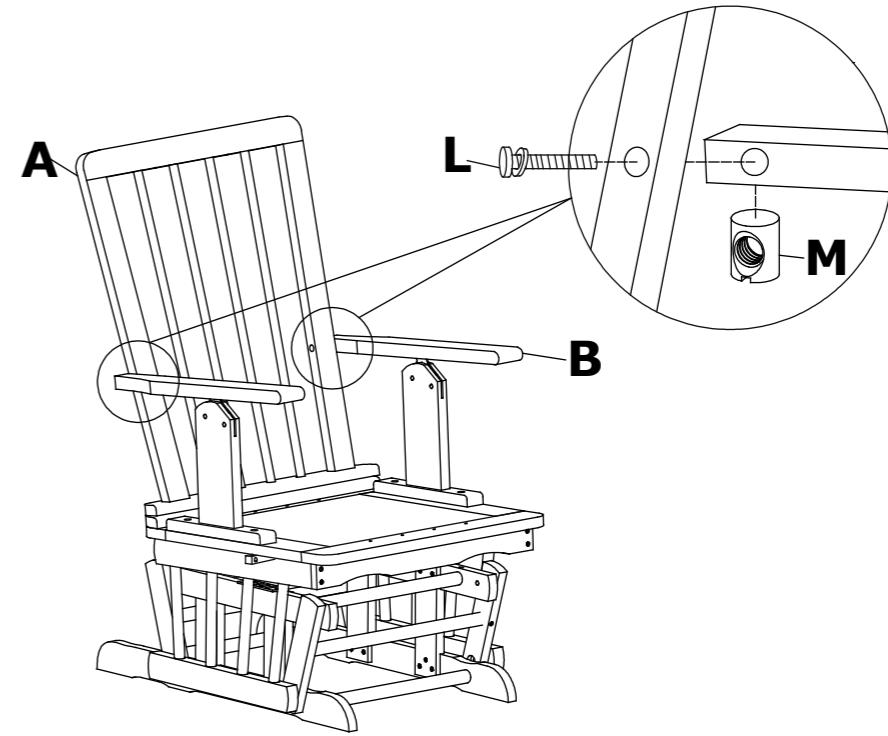
Step 1



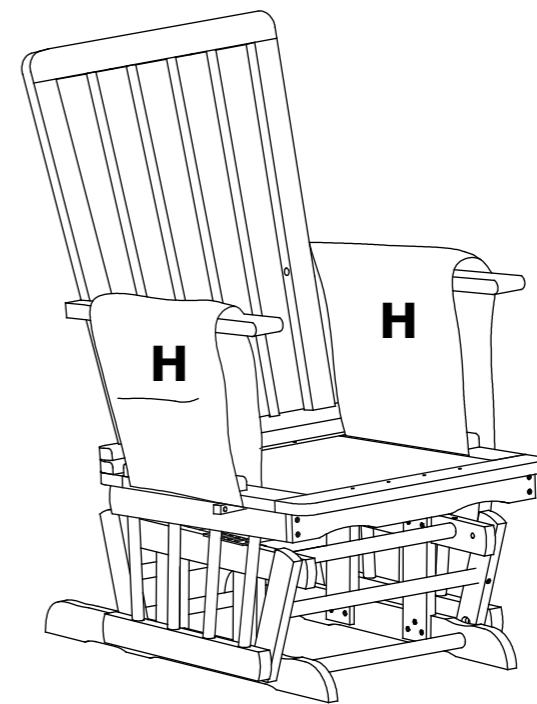
Step 2



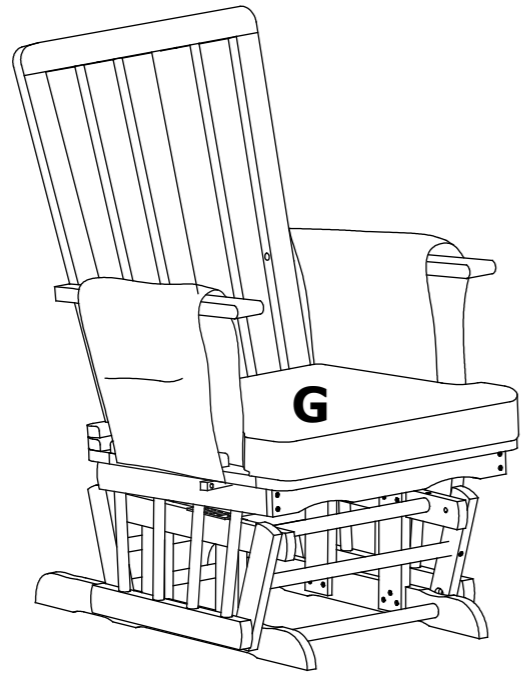
Step 3



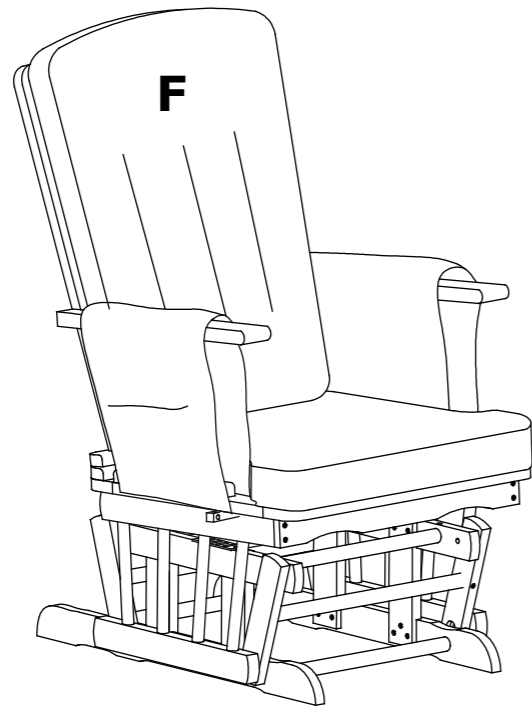
Step 4



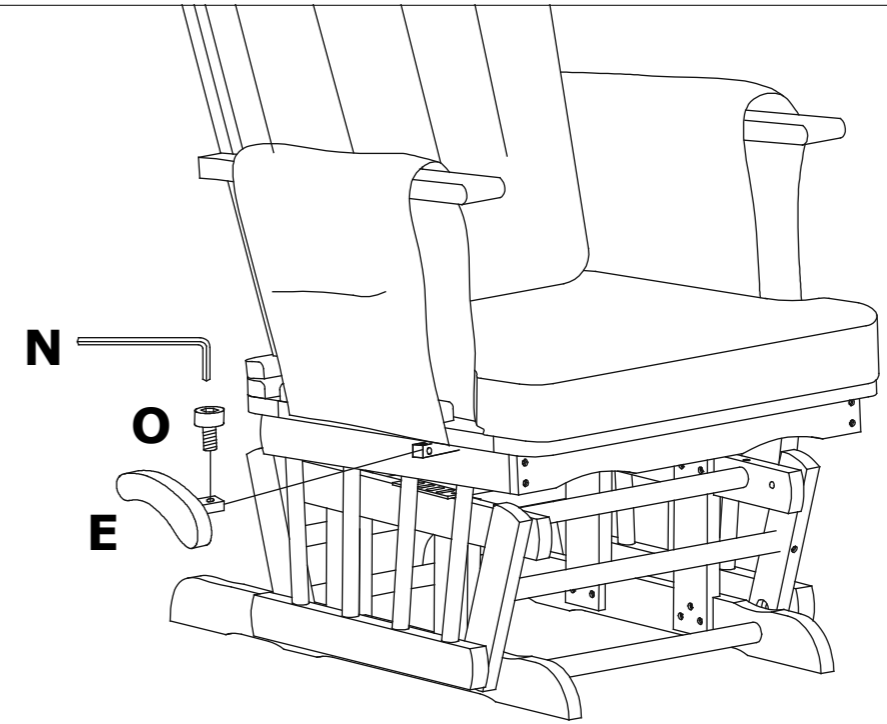
Step 5



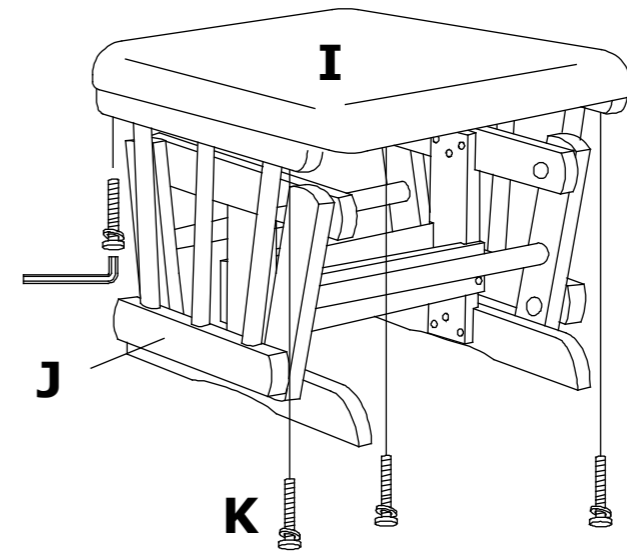
Step 6



Step 7



Step 8





obaby.co.uk



OfficialObaby



Obaby_UK



obabyuk



obabyuk



officialobaby

