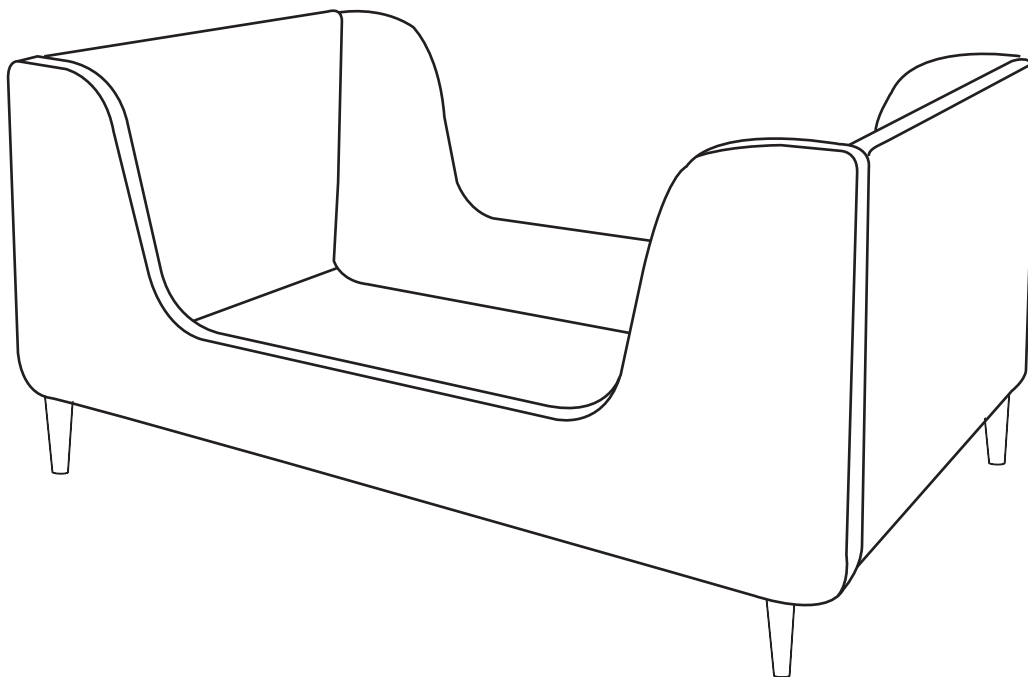


Lumi Toddler Bed

Instructions

Version: R1-0



**IMPORTANT
KEEP FOR FUTURE REFERENCE**





Safety Warnings

Thank you for choosing Obaby. This toddler bed conforms to BS 8509 :2008 + A1:2011. To ensure that your toddler bed is used in accordance with these instructions, please read them fully.

Your child's safety may be affected if you do not follow these instructions.

WARNING: A child's safety is your responsibility

WARNING: Assembly should be carried out by a competent adult only.

WARNING: Do not use more than one mattress in the toddler bed.

WARNING: Do not use the child's bed near heat sources, windows and other furniture.

WARNING: Be aware of the risk of open fire and other sources of heat, such as electric bar fires, gas fires, etc. in the near vicinity of the toddler bed.

WARNING: Do not use this child's bed if any part is broken, torn or missing. Use only spare parts approved by the manufacturer.

- We recommend you use the Obaby Mattress Size 140 x 70 cm for this toddler bed. The mattress should be no more than 30mm shorter or narrower than the internal length or width of the cot bed.
- Regularly check that all fittings and components of the toddler bed are fully tightened and in working order.
- The toddler bed is designed to be dismantled for storage or transportation.
- The toddler bed is suitable for a child from 18 months to 4 years old.
- Children are likely to play, bounce, jump and climb on beds, therefore the child's bed should not be placed to other furniture or windows, and should be placed either tight to the wall or have a gap of 300mm between the wall and the side of the bed.

- All assembly fittings should be tightened properly and care should be taken to ensure that no screws are loose, as a child could trap parts of the body, or clothing (e.g. ribbons, drawstrings, necklaces) this could lead to strangulation.
- During assembly children should be kept away from the product due to possible risk of injury.
- Wood is a natural material, the colour will darken with age.

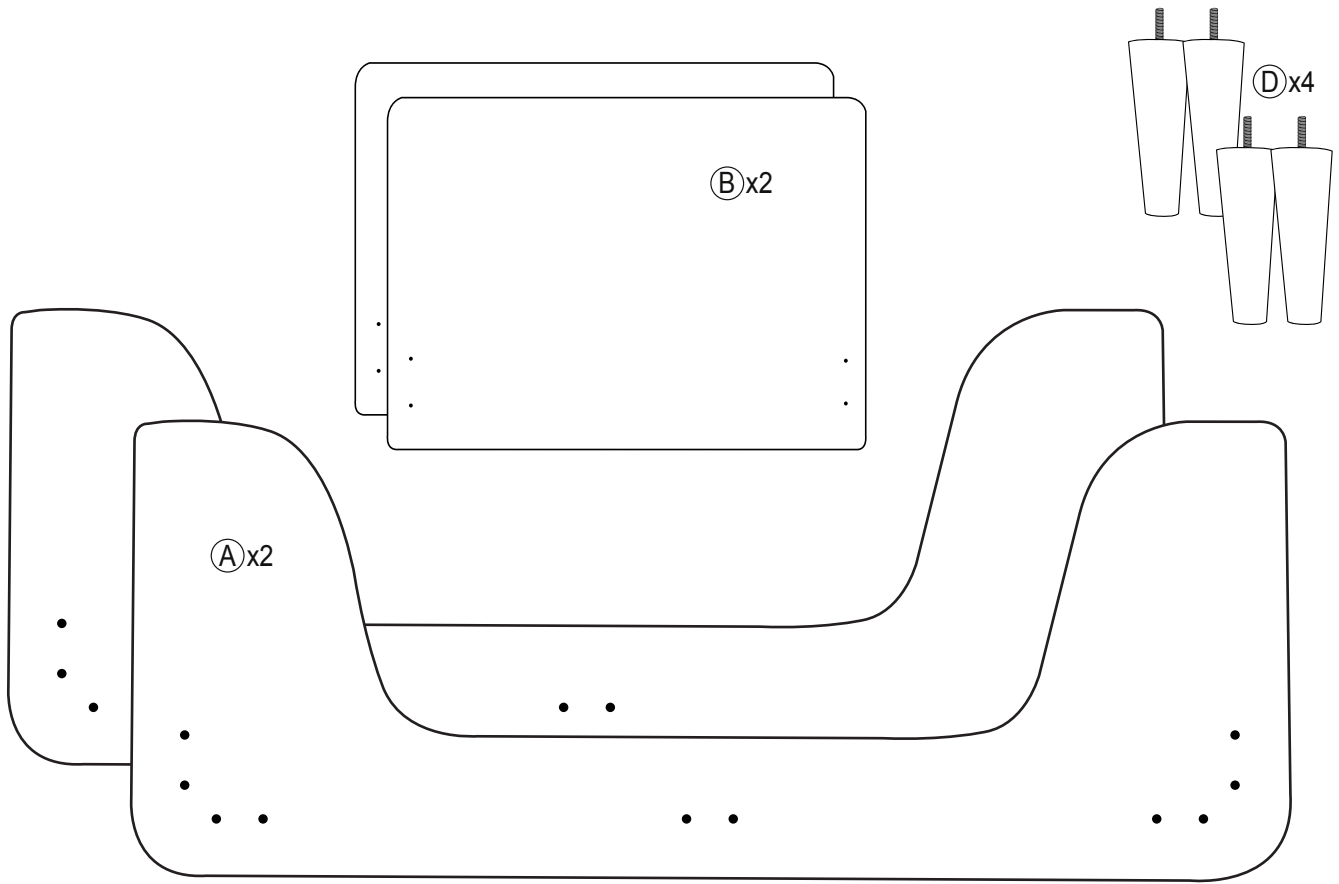
ROUTINE CARE & MAINTENANCE

- For cleaning, use only a mild detergent and warm water.
- DO NOT USE BLEACH.
- DO NOT USE any abrasive substances.
- From time to time, check your cot for loose screws, and worn parts. Replace or adjust the parts as needed.
- Treat spills and stains as soon as possible.

Due to constant updating and improvements, some components may occasionally differ slightly from the images shown in these instructions. We reserve the rights to change the specifications of any products without prior notice. If you need any assistance please contact your Obaby retailer from whom you purchased your product, who will take appropriate action.



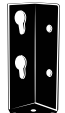
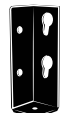
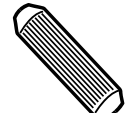
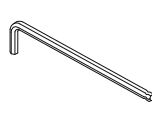


Parts List



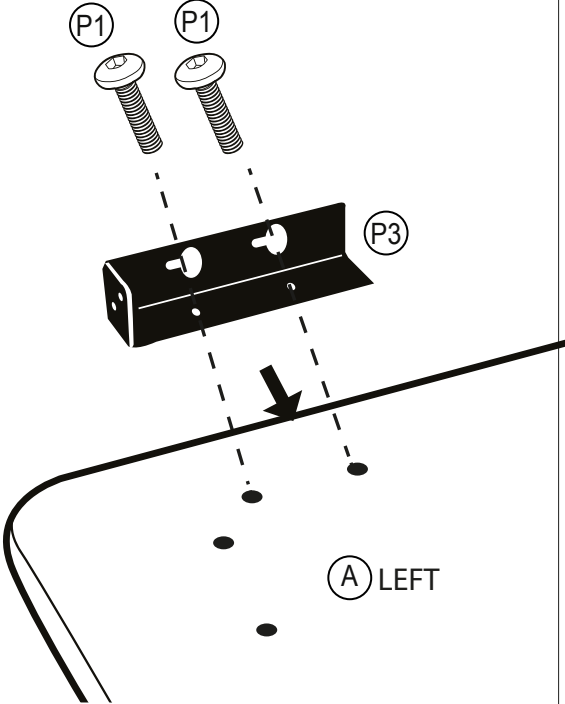
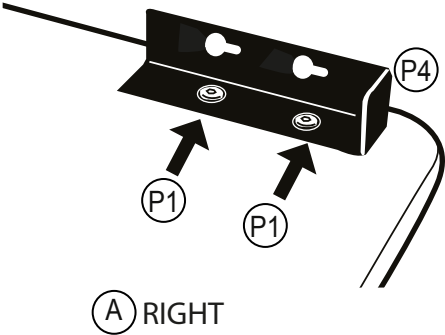
Ⓔx3 [Redacted]
 [Redacted]
 [Redacted]

Ⓒx2 [Redacted]
 [Redacted]
 [Redacted]

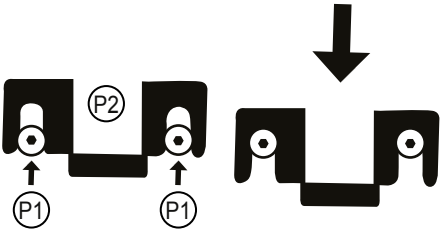
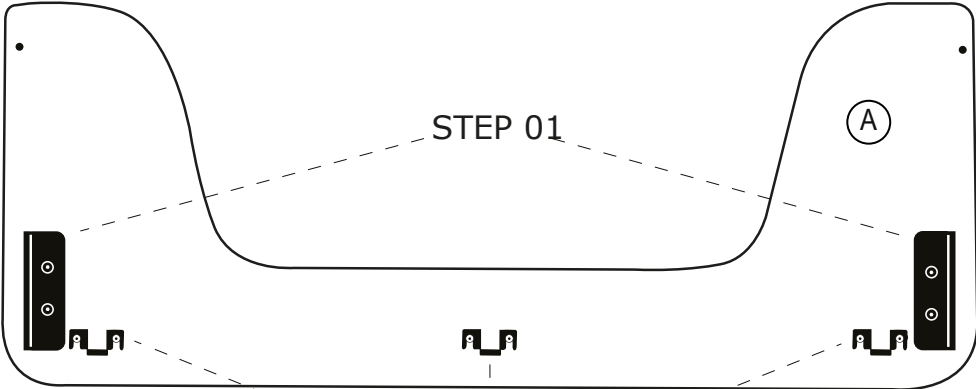
| | | | | | |
|------------------------------------------------------------------------------------------------------------------|-----------------------------------------------------------------------------------------------------------------|-----------------------------------------------------------------------------------------------------------------|-----------------------------------------------------------------------------------------------------------------|-------------------------------------------------------------------------------------------------------------------|-------------------------------------------------------------------------------------------------------------------|
| <p>P1</p>  <p>x 28</p> | <p>P2</p>  <p>x 6</p> | <p>P3</p>  <p>x 2</p> | <p>P4</p>  <p>x 2</p> | <p>P5</p>  <p>x 4</p> | <p>P6</p>  <p>x 1</p> |
|------------------------------------------------------------------------------------------------------------------|-----------------------------------------------------------------------------------------------------------------|-----------------------------------------------------------------------------------------------------------------|-----------------------------------------------------------------------------------------------------------------|-------------------------------------------------------------------------------------------------------------------|-------------------------------------------------------------------------------------------------------------------|



Stage 1



Stage 2

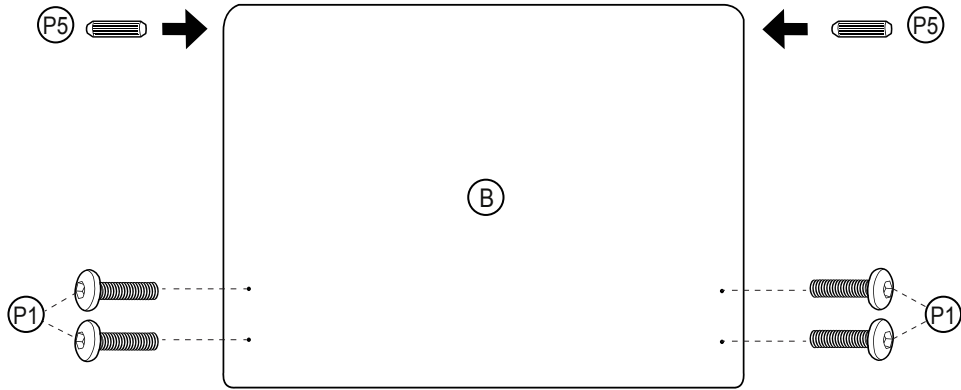


PLEASE ENSURE THAT THE BOLTS ARE TIGHTENED



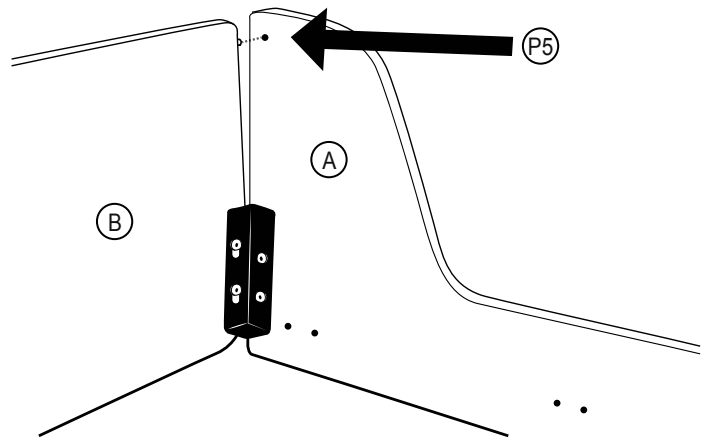
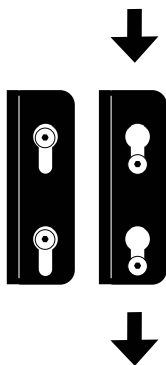
Toddler Bed Assembly

Stage 3



Stage 4

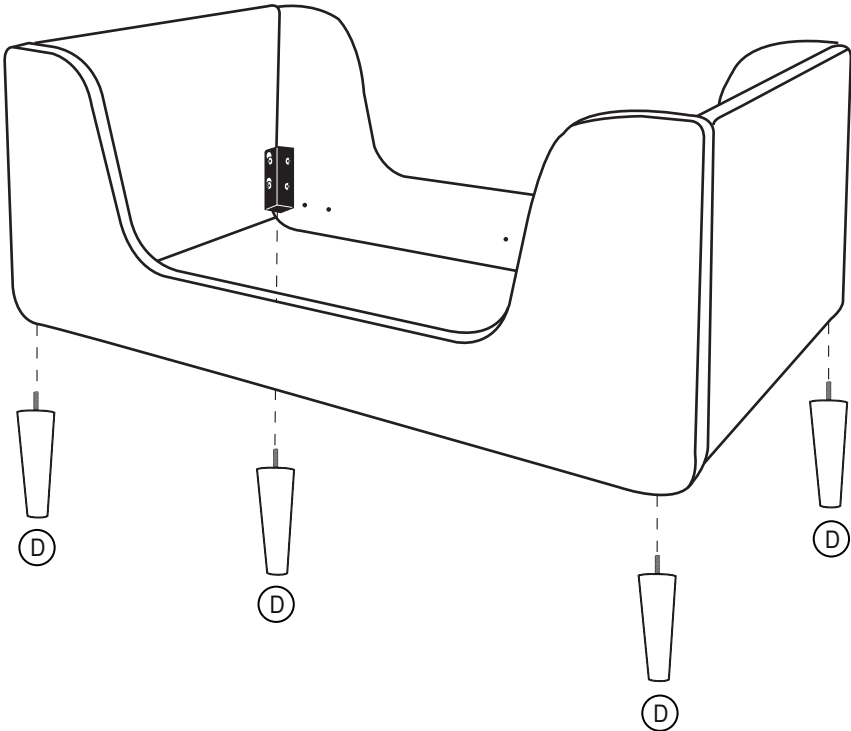
ALIGN BOLT INTO HOLE.



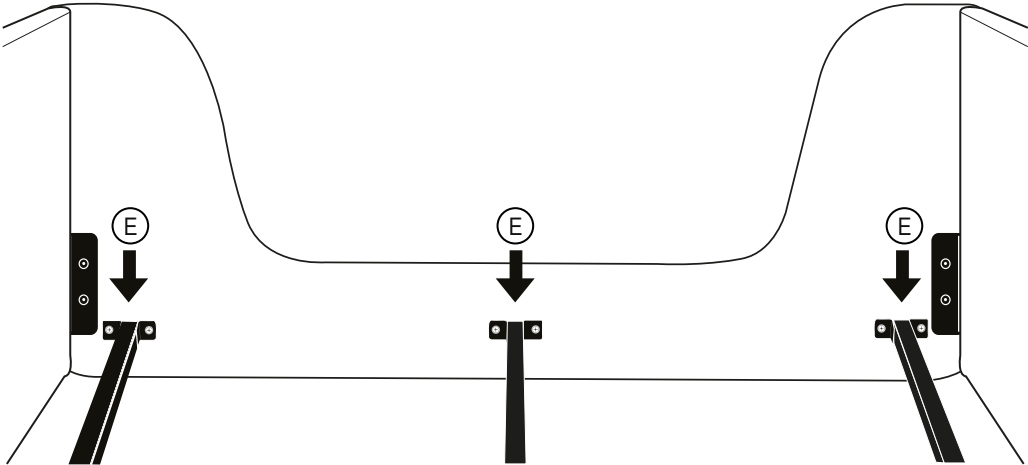
PLEASE ENSURE THAT THE BOLTS ARE TIGHTENED



Stage 5



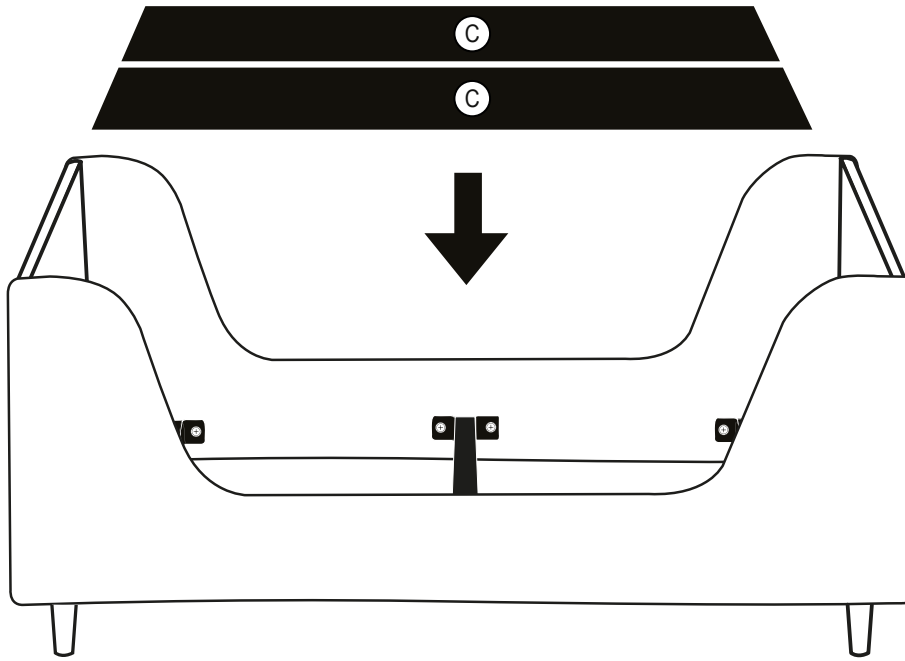
Stage 6



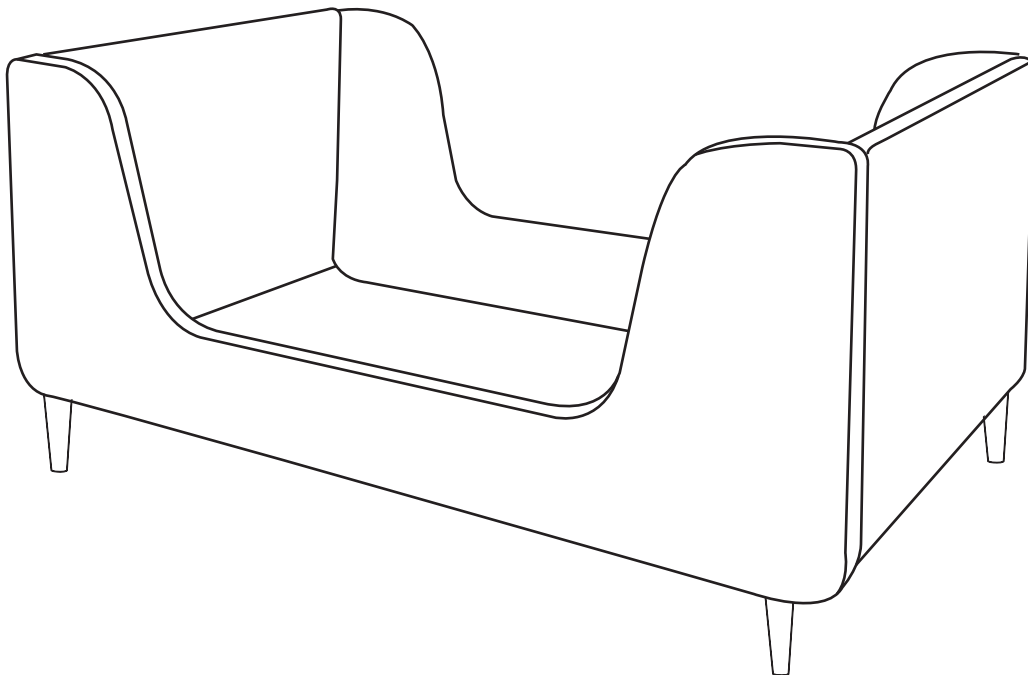


Toddler Bed Assembly

Stage 7



Stage 8





obaby.co.uk



OfficialObaby



obabyuk



obabyuk



officialobaby

